

COMBI-MR MULTI DIRECTIONAL FORKLIFT



Electrical

The multi-directional forklift designed for the safe, space saving and productive handling of long and bulky loads. Suitable for handling: Guided Aisles, Long Loads, Narrow Aisles and Palletised Goods.

COMBI-CBE Multi Directional Forklift

Technical Specs

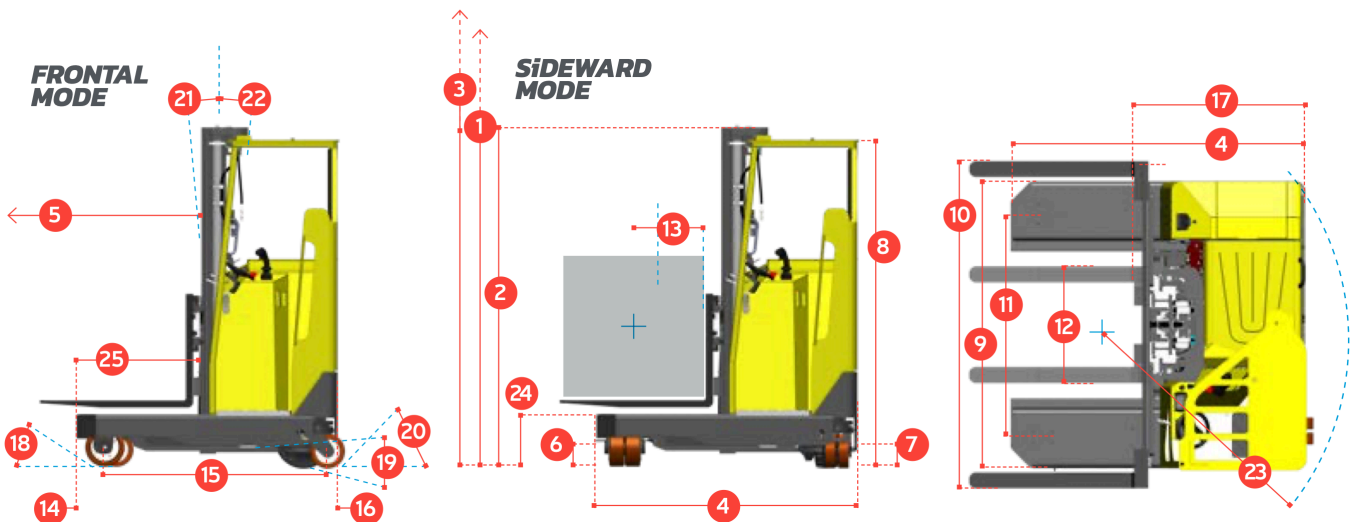
Capacity: 2500kg

Platform Length: 790mm

Overall Width: 1850 mm

Engine Type: Electrical

COMBI-MR



This compact truck features one rear wheel drive with a large rubber tyre and 360° steering rotation. The multi-functional controlled joystick allows the operator to change direction and travel speed in a smooth seamless motion, in addition to full control of all the hydraulic functions. This contributes to faster procedures for manufacturing distribution and logistics operations.

REF.	DESCRIPTION	STANDARD	OPTIONAL
1a	Standard Lift Height	4040 mm	5540 mm
1b	Freelift Height	0 mm	1480 mm
2	Height Mast Closed	2670 mm	2490 mm
3	Max. (Mast raised)	4750 mm	6530 mm
4	Overall Length	1905mm	
5	Mast Travel	865 mm	
6	Ground Clearance Under Mast	100 mm	
7	Ground Clearance to Wheelbase	100 mm	
8	Height Over Cab (without work lights)	2490 mm	
9	Overall Width	1850 mm	
10	Width over forks	2105 mm	
11	Track Front	1450 mm	
12	Frame Opening	940 mm	
13	Load Centre Distance	610 mm	
14	Overhang Front	200 mm	
15	Wheelbase	1475 mm	1625 mm
16	Overhang Back	230 mm	
17	Length From Face of Fork	1090 mm	
18	Approach Angle	35°	
19	Ramp Angle	15°	
20	Departure Angle	35°	
21	Forward Tilt	2°	
22	Backward Tilt	4°	
23	Minimum Outside Radius	1955 mm	
24	Platform Height	390 mm	
25	Platform Length	790 mm	
26	Weight (Standard Configuration)	1500 kg	
27	Weight (Optional Configuration)	1600 kg	

A	Capacity	2500 kg
B	Unladen Weight	5000 kg
C	Maximum Ground Speed	7 km/h
D	Gradability	7%
E	AC Rear Drive	6 kW
F	Battery	48V x 775Ah
G	Fork Section	50 mm x 100 mm x 1150 mm
H	Vulkollan Front Tyre	OD 250 mm / Width 75 mm
I	Solid Rubber Rear Tyre	OD 400 mm / Width 180 mm
J	Standard Colour	Yellow & Grey

rev. 1.1

Multi-Directional



Features Include:

- Standing Operator Over-Head Guard
- Multi-Direction Operation
- AC Electric Steering
- AC Motor Technology
- Multi-Function Joystick
- Optional Integrated Hydraulic Fork Positioner